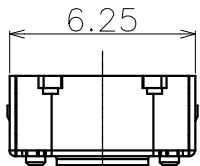
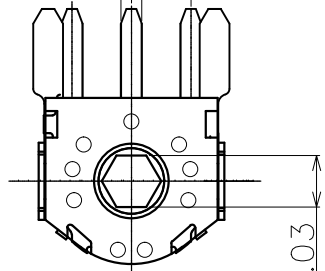
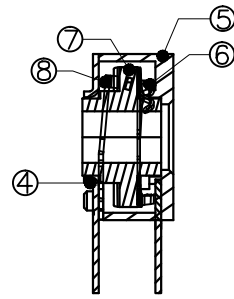
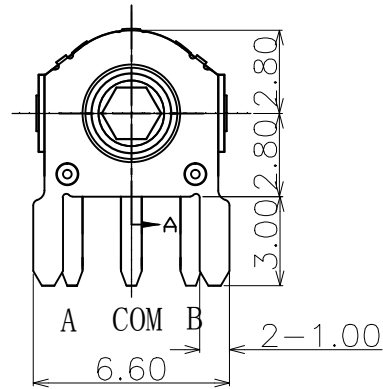
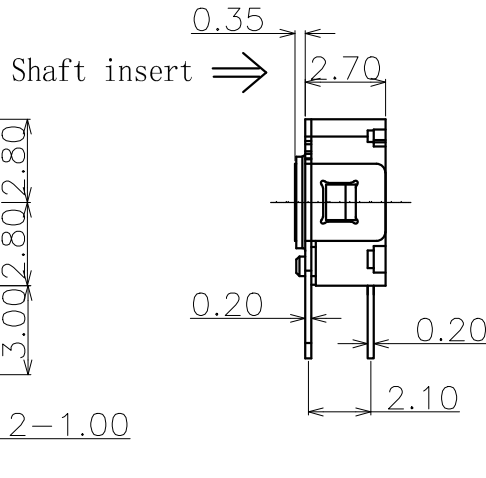


2.00 2.00
3-0.70



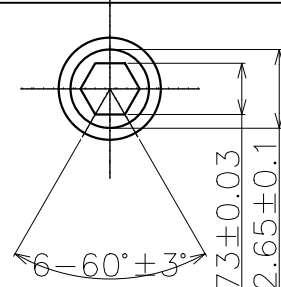
1.73±0.03



| | | | | | | |
|------|-----------|---------|------|-----------------|----------------|--------|
| ⑥ | Contact | — | 1 | Phosphor bronze | — | — |
| ⑤ | Base | — | 1 | NYLON | Black | — |
| ④ | Shell | — | 1 | Iron | Plating Silver | — |
| ③ | Terminal | — | 1 | Brass(0.2t) | Plating Silver | — |
| ② | Terminal | — | 1 | Brass(0.2t) | Plating Silver | — |
| ① | Terminal | — | 1 | Brass(0.2t) | Plating Silver | — |
| ITEM | PART NAME | TER'NO. | QTY. | MATERIAL | FINISHING | REMARK |

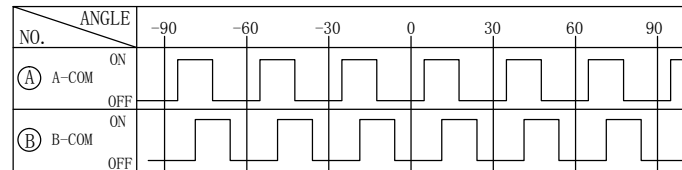
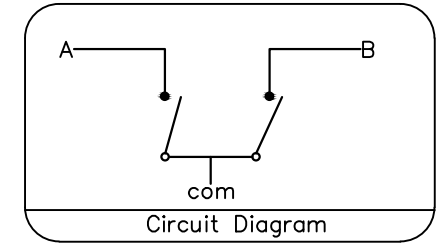
Shaft hole shape and dimension

Shaft hole position will be at random



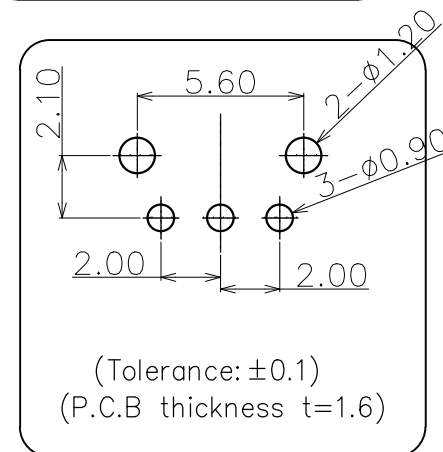
(Tolerance: ±0.1)
(P.C.B thickness t=1.6mm)

| | |
|-----------------------|----------------|
| Rating | 5VDC 1mA |
| Contact Resistance | 500mΩ Max |
| Insulation Resistance | 50MΩ Min |
| Dielectric Voltage | 250VAC 60±5S |
| Endurance | 100,000 cycles |
| Rotational Force | 0-15gf.cm |



CCW ← → CW

Pulse/Rotation: 12 Pulse/360° (reverse)



备注：底座背面的压针孔○是根据产品模具成型要求而定的，其规格的大小与数量的多少对产品结构、功能及使用无任何影响。