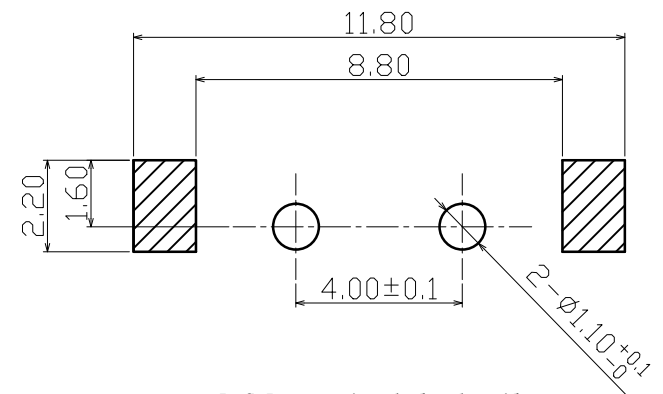
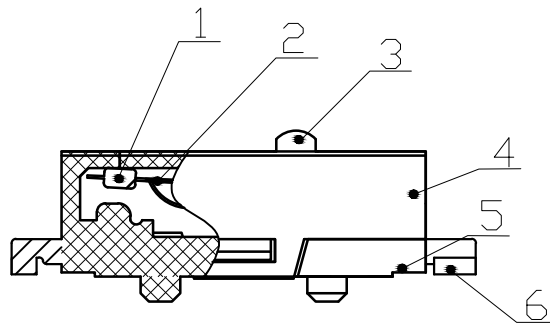
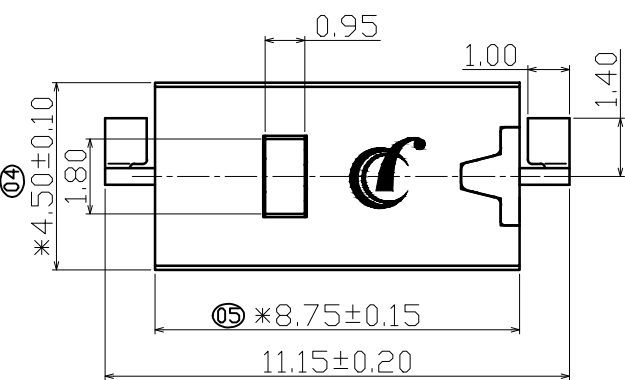


| ITEM | PART NAME | MATERIAL | COLOR |
|------|---------------|--------------------|-------|
| 1 | CONTACT | Ag Alloy | |
| 2 | MOVABLE PLATE | SUS | |
| 3 | BUTTON | PA | WHITE |
| 4 | COVER | PA | BLACK |
| 5 | BASE | LCP | BLACK |
| 6 | TERMINAL | SILVER PLATE BRASS | |



P.C.B mounting hole detail

SCHEMATIC



| | | |
|----|--------------------|-------------------|
| 05 | Operating Force | 80±10gf (每10gf一段) |
| | Release Force | 25gf min |
| | Operating Position | 3.20±0.15mm |
| | Free Position | 3.50±0.1mm |
| 07 | Pre Travel | 0.3±0.10mm |
| 08 | CCP Value | 20% min |
| | Endurance | 5,000,000 cycles |