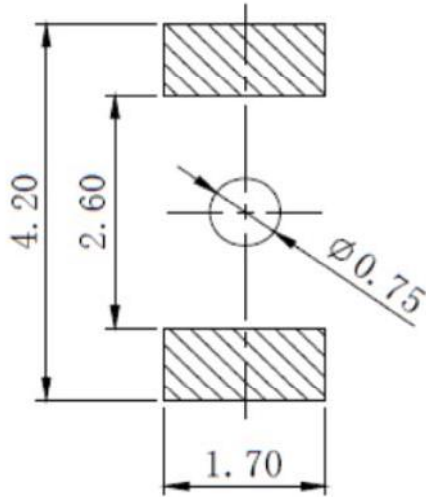
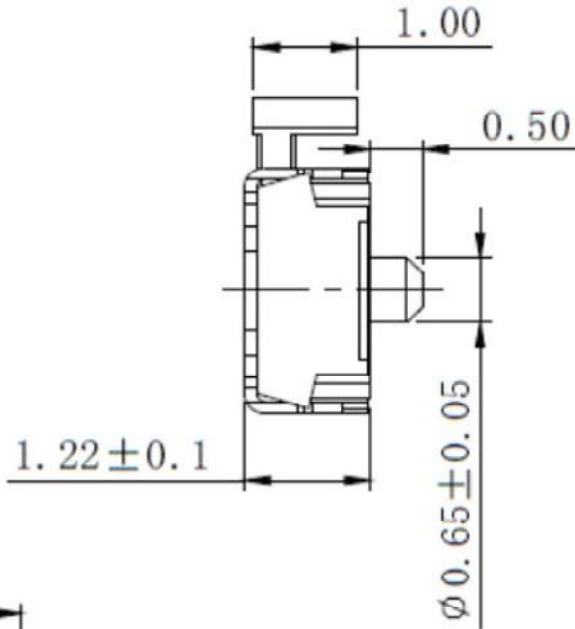


CIRCUIT DIAGRAM



P.C.B LAND DIMENSION



REFERENCE DRAWING

SPECIFICATION

1. Rating: DC 12V 50mA Max
2. Contact resistance: 100mΩ MAX
3. Insulation resistance: 100MΩ Min
4. Dielectric strength: 250VAC/min
5. Operating force: 160gf ± 50gf
6. Operating life: 100,000 cycles

 浙江長風電子有限公司 CHANGFENG ELECTRONICS CO., LTD.		TITLE	Tact Switch
		MODEL	CF. THAF46. AJ
MARK.	REV.	REVISION	NOTE
UNIT	mm	TOLERANCE	SCALE
DRAWN		x. ±0.5 ANGLES	1:1
CHECKED		.x ±0.3 x. ±2°	SHEET 1/1
APPROVED		.xx ±0.1 .x. ±1°	REV. A0
DATE		PROJ.	PROJ.