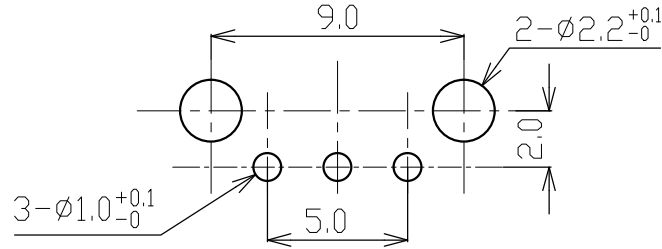


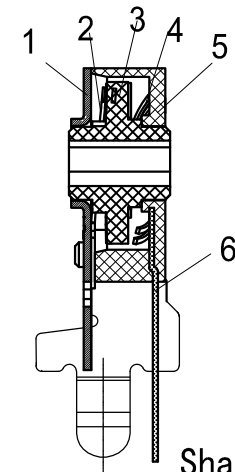
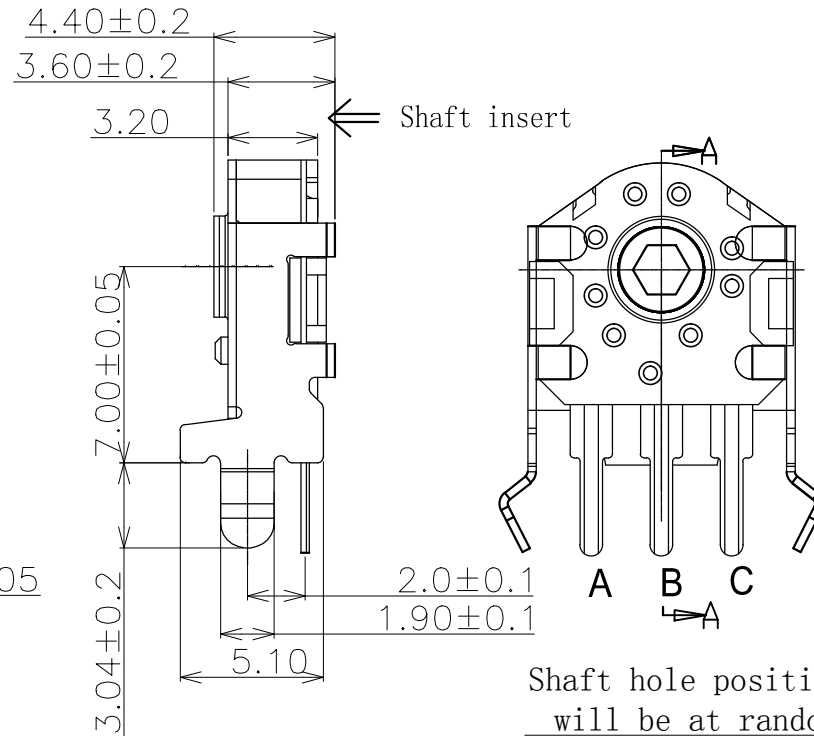
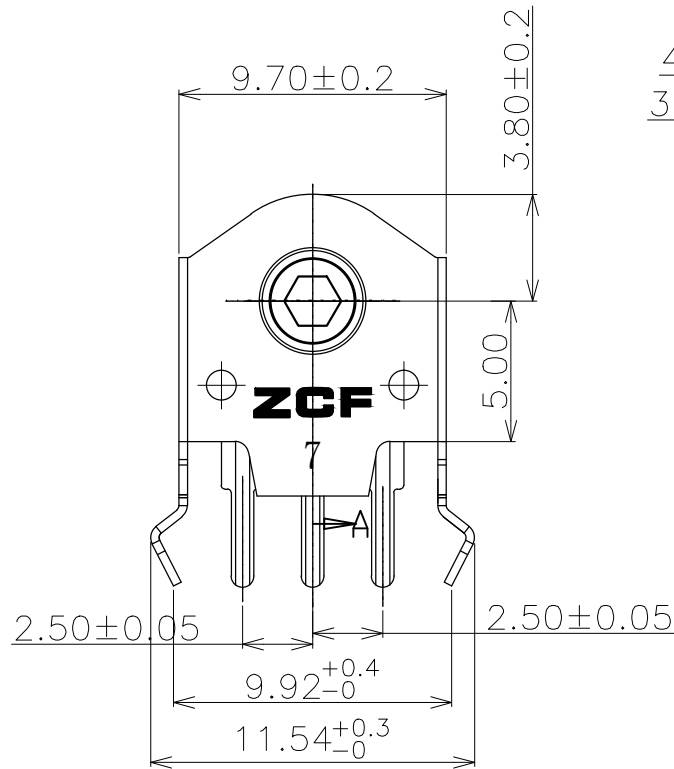
(Tolerance: ± 0.1)
(P.C.B thickness $t=1.6$)



1. Material list

| ITEM | DESCRIPTION | MATERIAL |
|------|--------------|-----------------|
| 1 | Cover | SPCC |
| 2 | Anchor Plate | SUS301 |
| 3 | Wheel gear | POM |
| 4 | Spring | TITANIUM COPPER |
| 5 | Base | PA66 |
| 6 | Terminal | C2680 |

| | |
|-----------------------|----------------|
| Rating | 5VDC 1mA |
| Contact Resistance | 500mΩ Max |
| Insulation Resistance | 50MΩ Min |
| Dielectric Voltage | 250VAC 60±5S |
| Endurance | 200,000 cycles |
| Rotational Force | 8-20gf.cm |



Shaft hole shape and dimension

