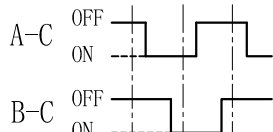
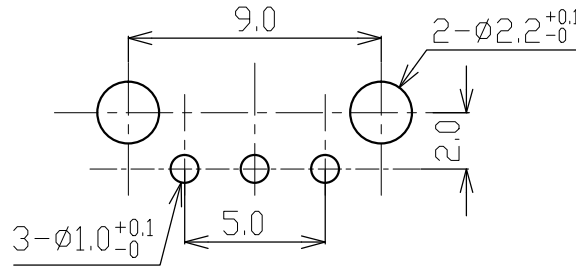


CW ROTATION



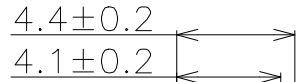
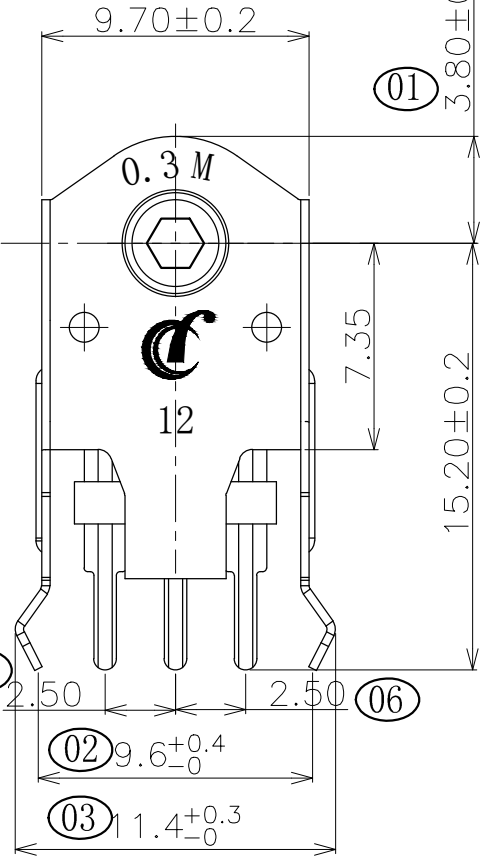
12 pulse 24 click

(Tolerance: ± 0.1)
(P.C.B thickness $t=1.6$)

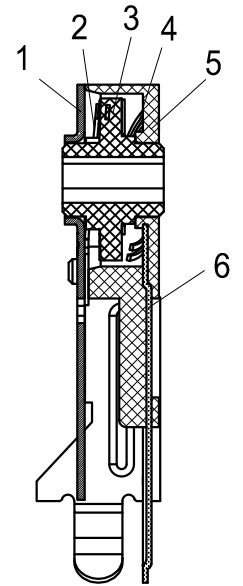
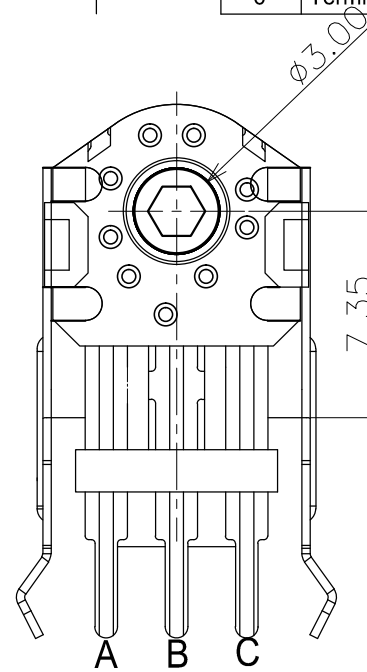
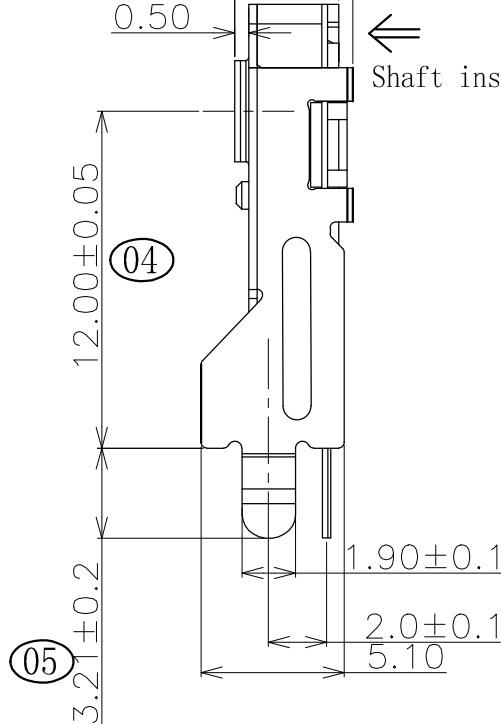


1. Material list

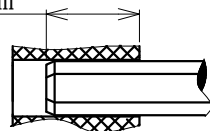
ITEM	DESCRIPTION	MATERIAL
1	Cover	SPCC
2	Anchor Plate	SUS301
3	Wheel gear	POM
4	Spring	TITANIUM COPPER
5	Base	PA66
6	Terminal	C5191



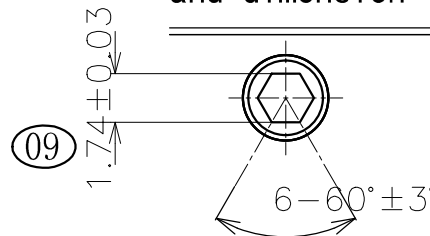
Shaft insert



Shaft hole position will be at random



Shaft hole shape and dimension



Rating	5VDC 100mA
Contact Resistance	500mΩ Max
Insulation Resistance	50MΩ Min *
Dielectric Voltage	250VAC 60±5S
Endurance	300,000 cycles
Rotational Force	7-14gf.cm