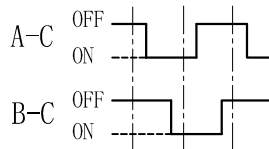
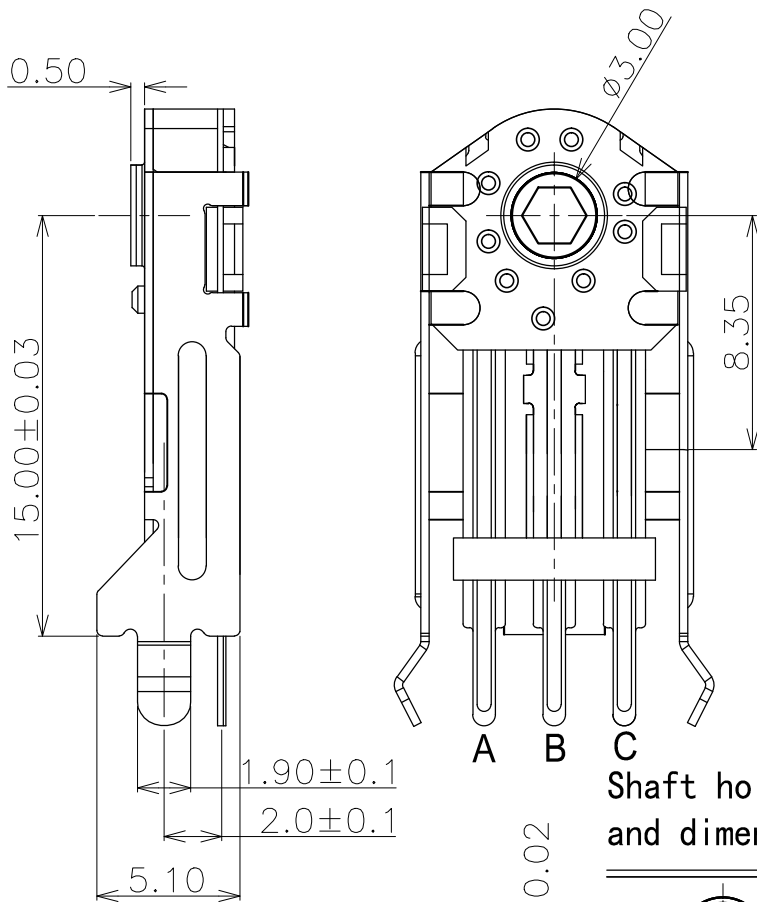


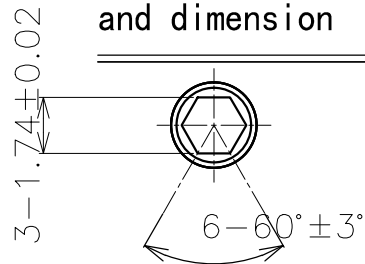
CW ROTATION



12 pulse 24 click

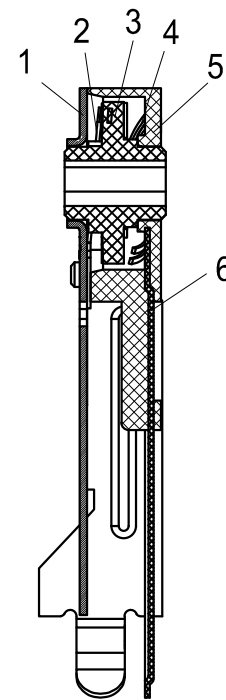


Shaft hole shape and dimension

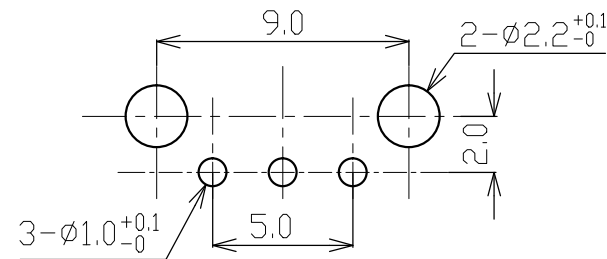


1. Material list

ITEM	DESCRIPTION	MATERIAL
1	Cover	SPCC
2	Anchor Plate	SUS301
3	Wheel gear	POM
4	Spring	PHOSPHOR COPPER
5	Base	PA66
6	Terminal	C5191



(Tolerance: ±0.1)
(P.C.B thickness t=1.6)



Rating	5VDC 1mA
Contact Resistance	500mΩ Max
Insulation Resistance	50MΩ Min
Dielectric Voltage	50VAC 60±5S
Endurance	800,000 cycles
Rotational Force	15-30gf.cm