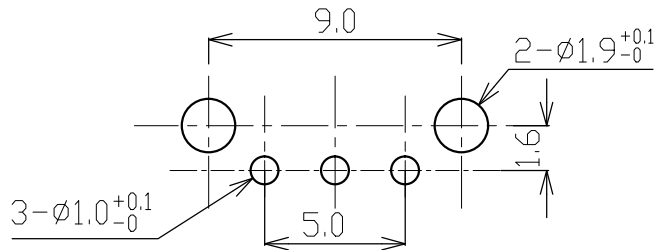


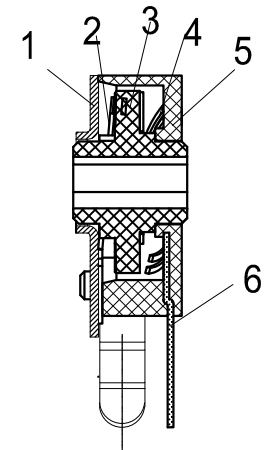
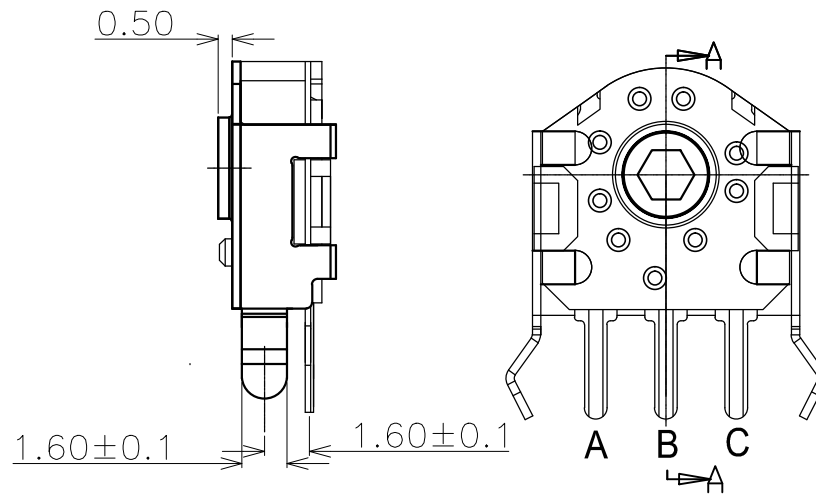
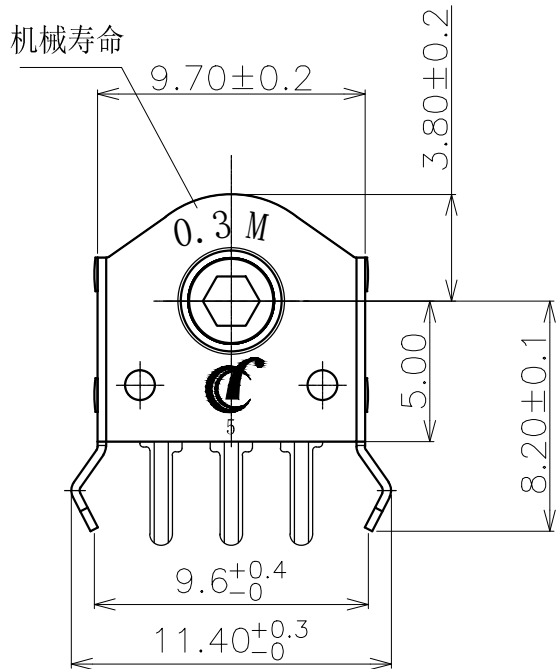
(Tolerance:  $\pm 0.1$ )  
(P.C.B thickness  $t=1.6$ )



1. Material list

ITEM	DESCRIPTION	MATERIAL
1	Cover	SPCC
2	Anchor Plate	SUS301
3	Wheel gear	POM
4	Spring	C5191
5	Base	PA66
6	Terminal	C2680

Rating	5VDC 100mA
Contact Resistance	500mΩ Max
Insulation Resistance	50MΩ Min
Dielectric Voltage	250VAC 60±5S
Endurance	300,000 cycles
Rotational Force	15-30gf.cm



Shaft hole shape and dimension

