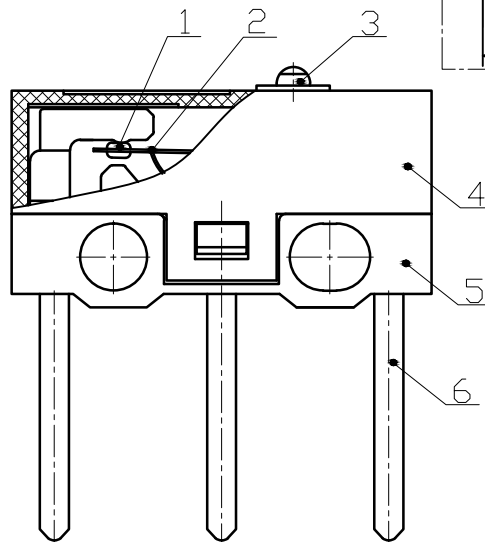
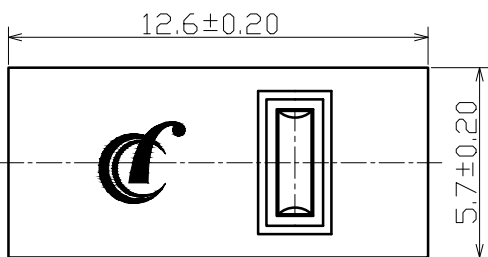
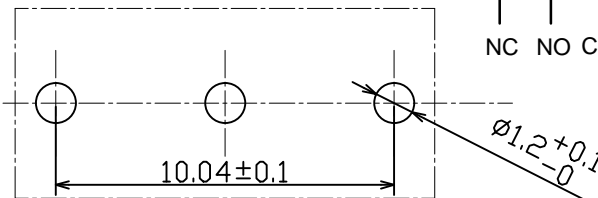
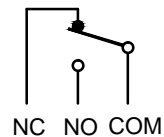


ITEM	PART NAME	MATERIAL	COLOR
1	CONTACT	Ag Alloy	
2	MOVABLE PLATE	BERYLLIUM COPPER	
3	BUTTON	POM	WHITE
4	COVER	PBT	BLACK
5	BASE	PPA	WHITE
6	TERMINAL	SILVER PLATE BRASS	

**SCHMATIC**

P.C.B mounting hole detail



Operating Force	70±10gf
Release Force	15gf min
Operating Position	6.95±0.2mm
Free Position	7.25±0.2mm
Over travel	0.3±0.2mm
CCP Value	15% min
Endurance	3,000,000 cycles