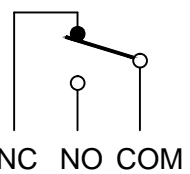
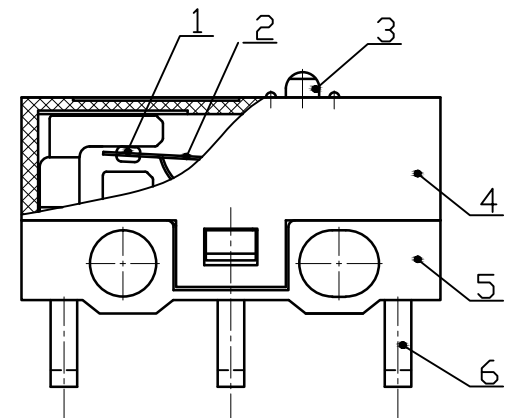


**SCHEMATIC**



ITEM	PART NAME	MATERIAL	COLOR
1	CONTACT	Ag Alloy	
2	MOVABLE PLATE	PHOSPHOR COPPER	
3	BUTTON	POM	RED
4	COVER	PA	BLACK
5	BASE	PPA	WHITE
6	TERMINAL	SILVER PLATE BRASS	



Rating	5VDC 100mA
Contact Resistance	100mΩ Max
Insulation Resistance	50MΩ Min
Dielectric Voltage	250VAC 60±5S
Endurance	1,000,000 cycles
Operating Force	70-80gf
Pre-travel	0.30±0.2mm

丰润料号:104-1000081