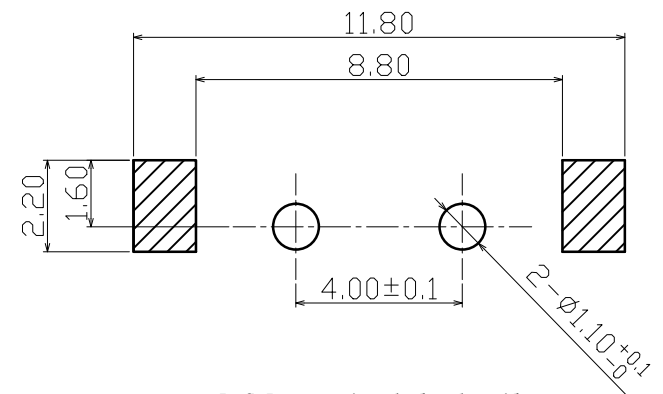
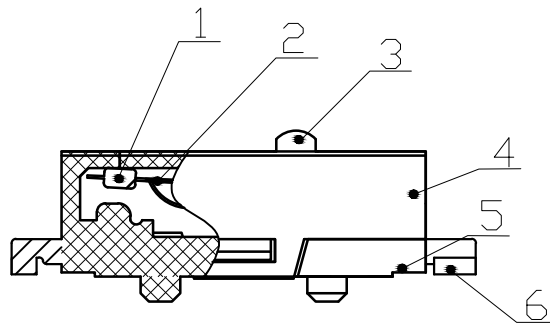
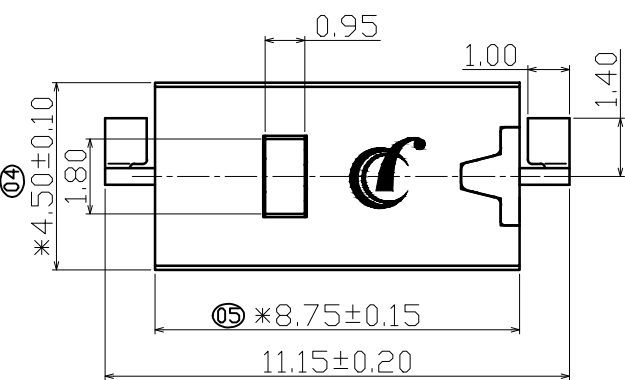


ITEM	PART NAME	MATERIAL	COLOR
1	CONTACT	Ag Alloy	
2	MOVABLE PLATE	SUS	
3	BUTTON	PA10T	WHITE
4	COVER	PA9T G1350A	BLACK
5	BASE	LCP	BLACK
6	TERMINAL	SILVER PLATE BRASS	



P.C.B mounting hole detail

SCHEMATIC



06	Operating Force	80±10gf (每10gf一段)
	Release Force	25gf min
	Operating Position	3.20±0.15mm
	Free Position	3.50±0.1mm
07	Pre Travel	0.3±0.10mm
08	CCP Value	20% min
	Endurance	3,000,000 cycles