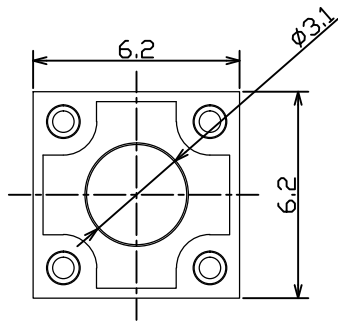
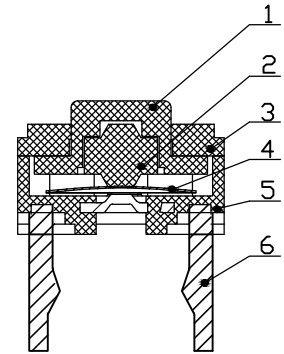
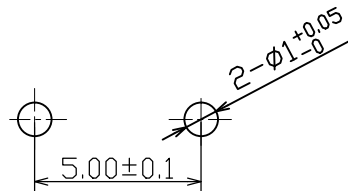


ITEM	PART NAME	MATERIAL	COLOR
1	BUTTON	POM	BLACK
2	SILICA GEL	SILICA GEL	
3	COVER	PBT	BLACK
4	SPRING	SUS	
5	BASE	PA6	BLACK
6	TERMINAL	SILVER PLATE BRASS	



(Tolerance: ± 0.1)
(P.C.B thickness $t=1.6$)



Rating	12VDC 50mA
Contact Resistance	100m Ω Max
Insulation Resistance	100M Ω Min
Dielectric Voltage	250VAC 60 \pm 15S
Endurance	3,000,000 cycles
Operating Force	60 \pm 10gf
Pre-travel	0.30 \pm 0.2mm