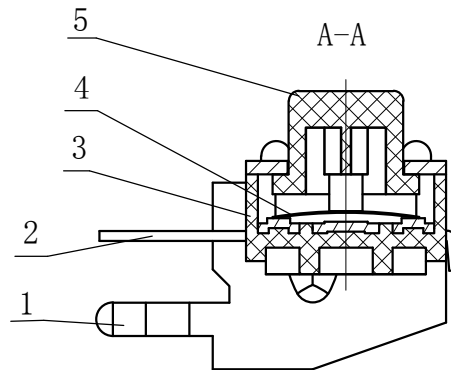
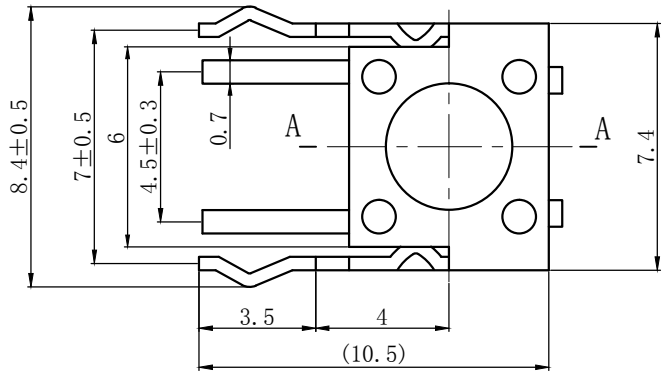
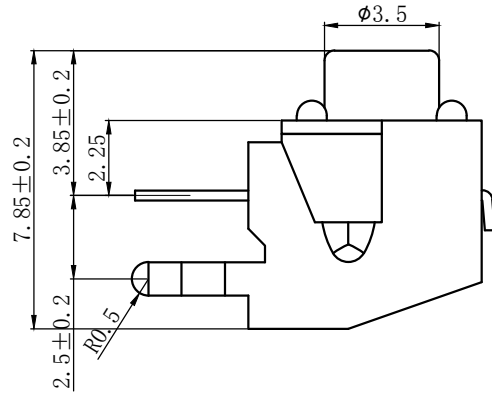
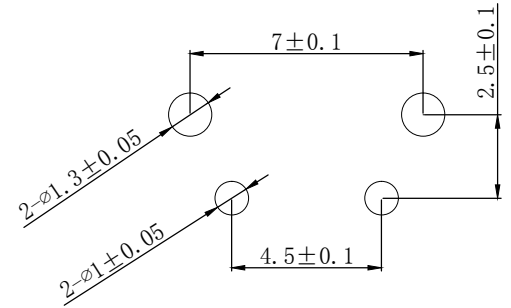


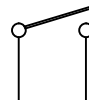
ITEM	PART NAME	MATERIAL	COLOR
1	支 架	SPCC	
2	引 脚	黄铜带H65Y 0.3mm 表面镀银	
3	基 座	PA6T	BLACK
4	簧 片	单面覆银磷铜	
5	按 钮	聚碳酸脂 PC	BLACK



(Tolerance: ±0.1)
(P.C.B thickness t=1.6)



SCHEMATIC



Operating Force	100±50gf
Release Force	15gf min
Operating Position	3.6±0.2mm
Free Position	3.85±0.2mm
Orer travel	0.1mm min
CCP Value	15% min
Endurance	100,000 cycles